



LODESTAR[®]

ELECTRIC CHAIN MOTORS

DIMENSION DRAWINGS FOR 2 TON SINGLE REEVED

Phone (800) 888.0985 • Fax: (716) 689.5644 • www.cmworks.com

MODEL TYPE

Model RRS with Swivel Latch Type Hook

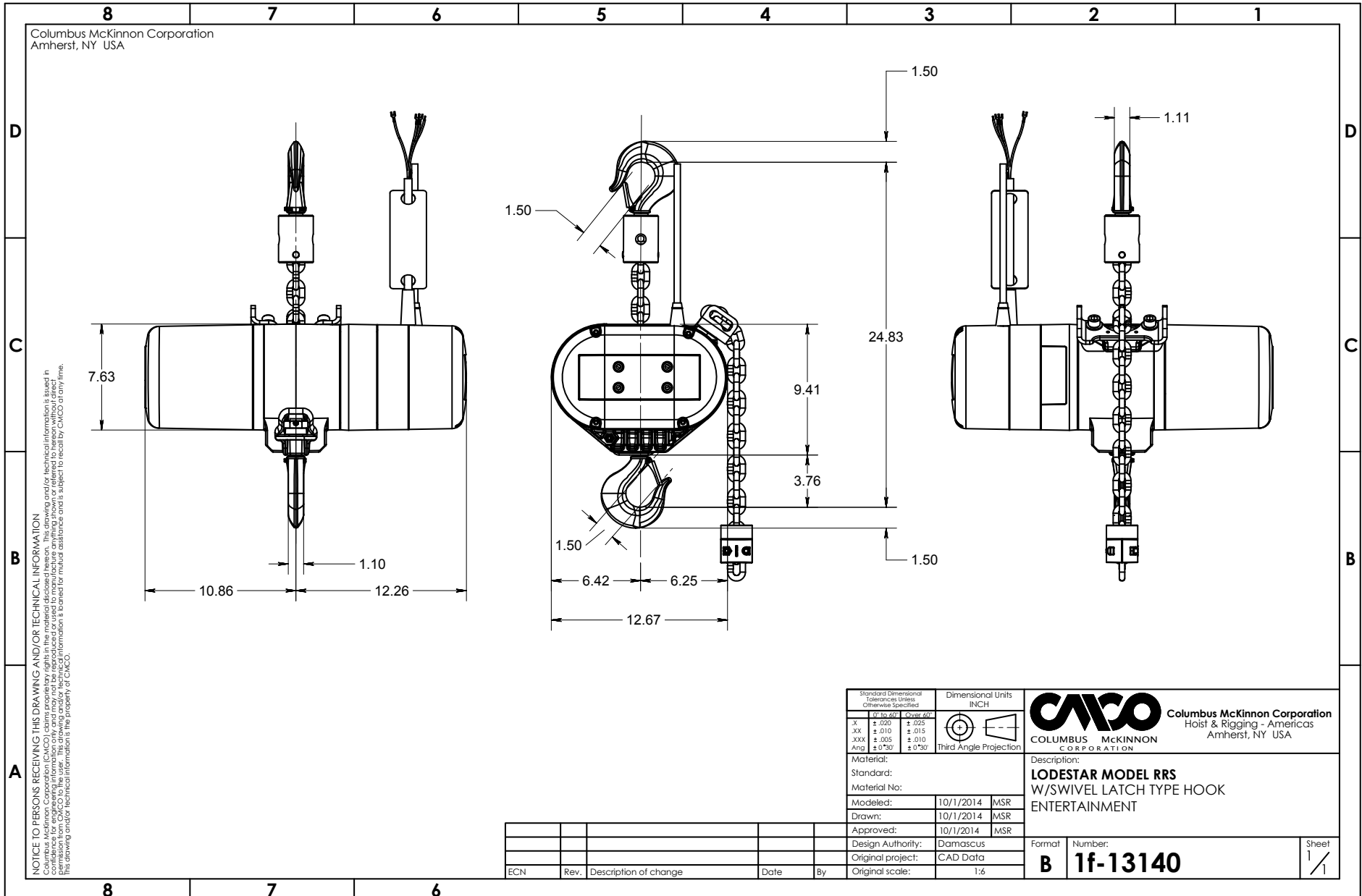
Model RRS with Rigid Latch Type Hook

Model RRS with Swivel Latchlok Type Hook

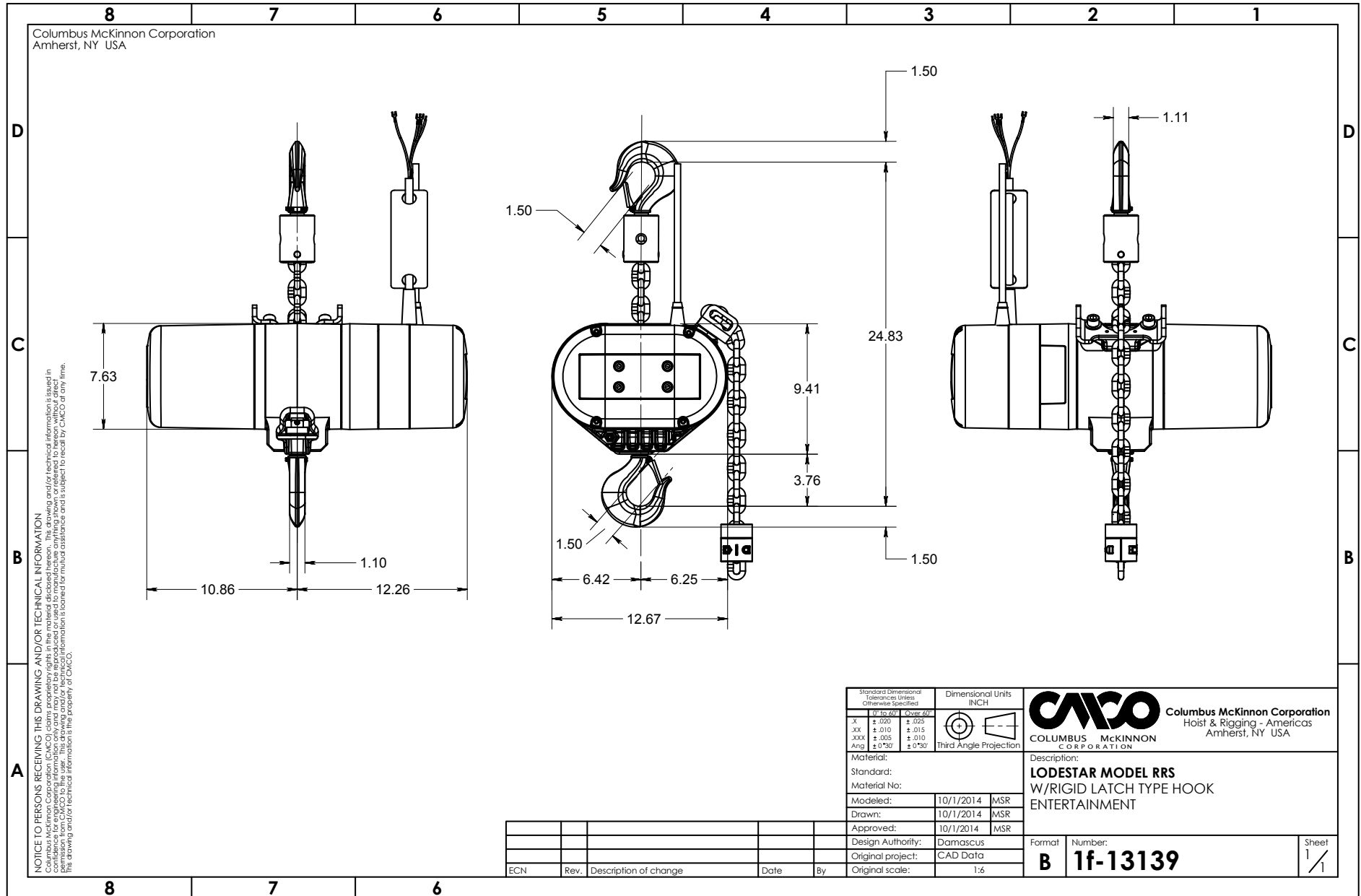
Model RRS with Rigid Latchlok Type Hook



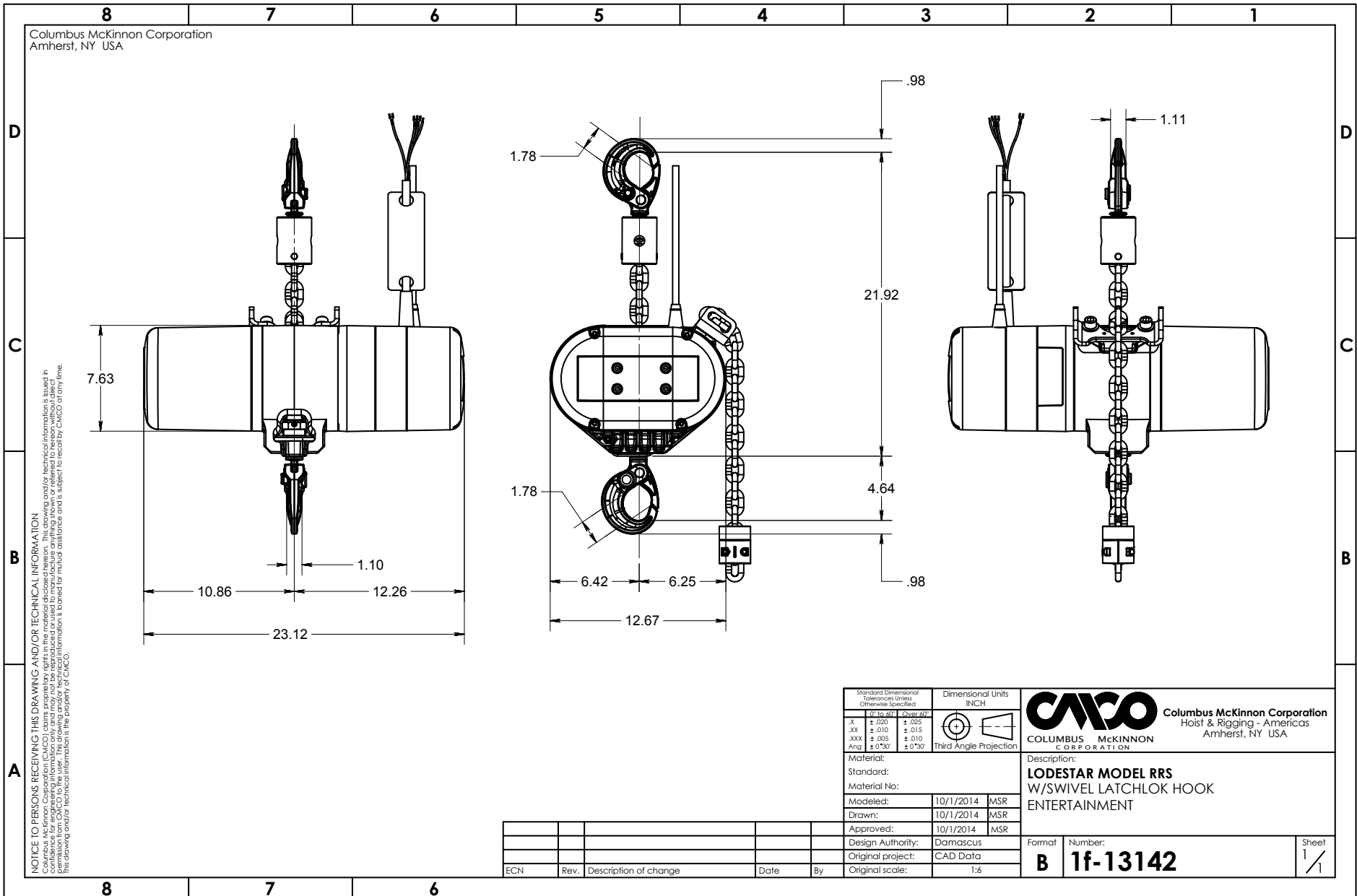
ENTERTAINMENT LODESTAR 2 TON SINGLE REEVED



ENTERTAINMENT LODESTAR 2 TON SINGLE REEVED

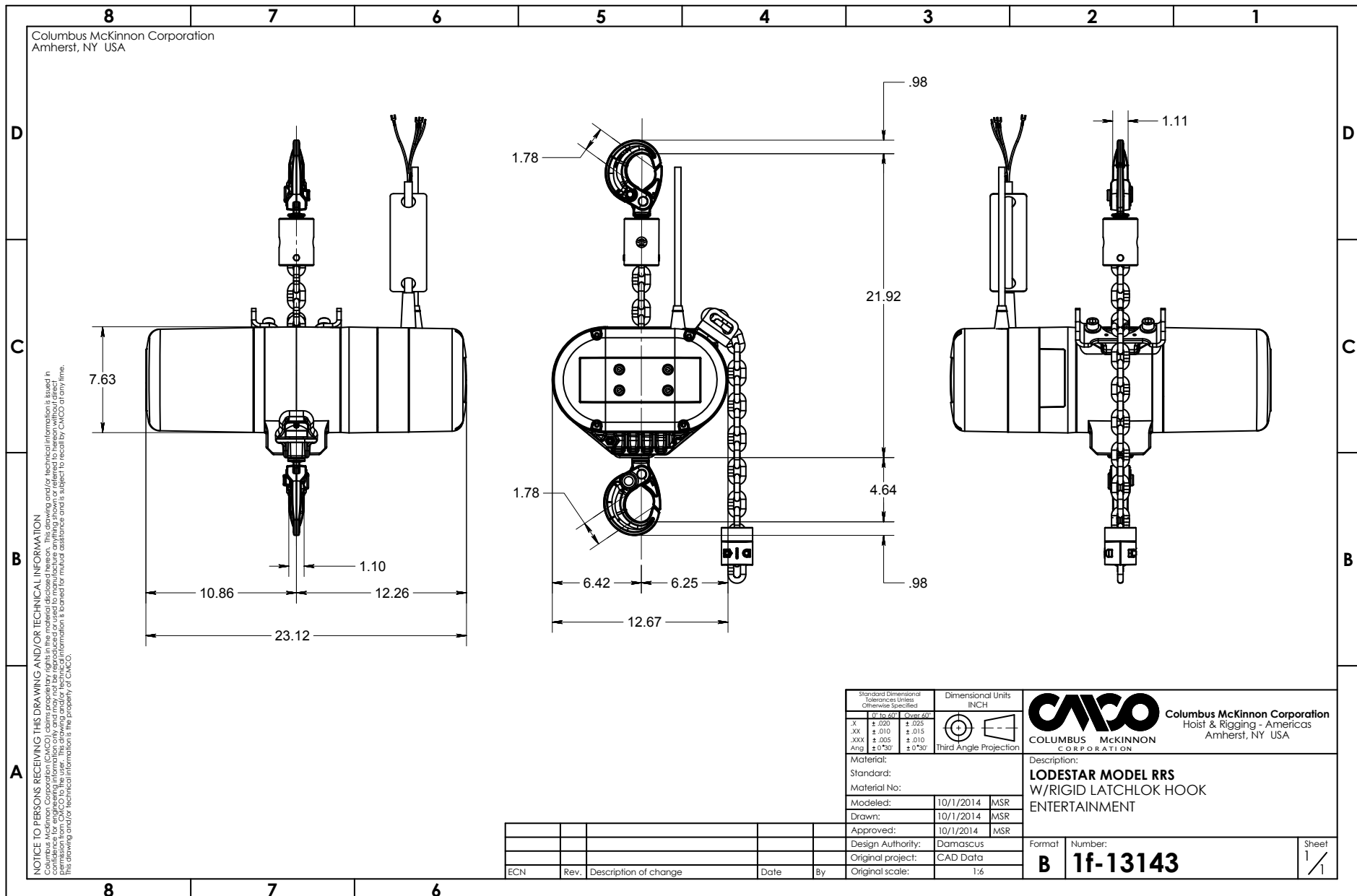


ENTERTAINMENT LODESTAR 2 TON SINGLE REEVED





ENTERTAINMENT LODESTAR 2 TON SINGLE REEVED





Phone: 800.888.0985 • Fax: 716.689.5644 / 330.424.3126
www.cmworks.com